

4

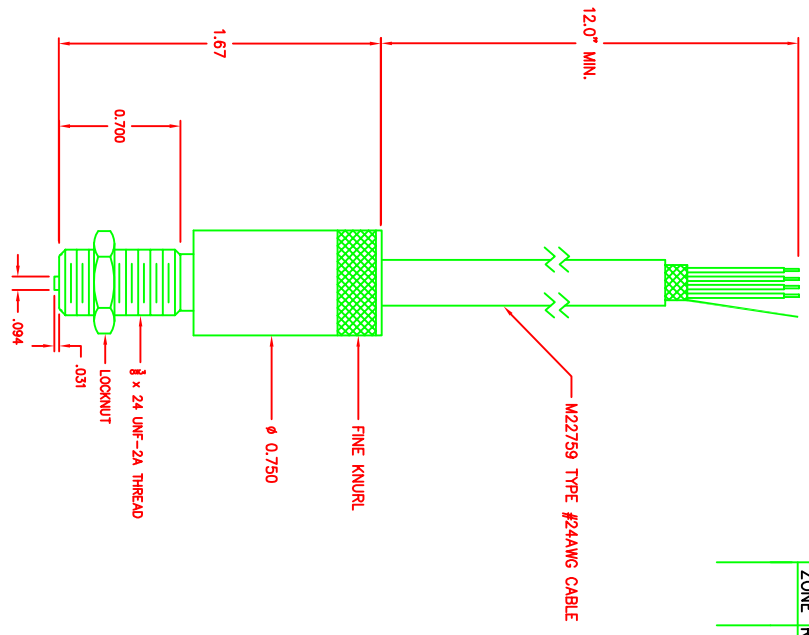
3

2

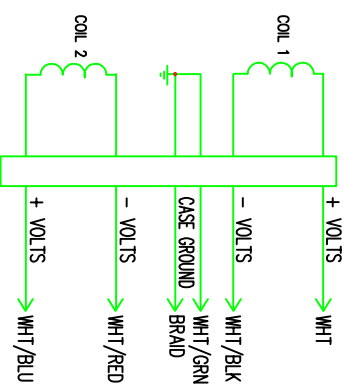
1

NOTES

- COIL RESISTANCE: COIL 1: 210 OHMS ± 25%
COIL 2: 215 OHMS ± 25%
- COIL INDUCTANCE: COIL 1: 28mH TYP.
COIL 2: 18mH TYP.
- OUTPUT SIGNAL: COIL 1: 1.5VP-P
COIL 2: 1.5VP-P
- TEST CONDITIONS: COIL 1: 1.5VP-P
COIL 2: 1.5VP-P
- TEST GEAR: 12 PITCH
- AIR GAP: 0.030"
- LOAD: 100KΩ
- SPEED: 1000 I.P.S.
- INSULATION RESISTANCE (IR) WINDING TO CASE: > 100 MEGOHM @ 100 VOLTS.
- OPERATING TEMPERATURE: -270C TO 200C



WIRING DIAGRAM



ZONE	REV	DESCRIPTION	DATE	APP

DWG NO. PC41-17E

SH 1 REV -

REVISIONS

MATERIAL	APPROVALS	TITLE
300 SERIES STAINLESS STEEL	DRAWN: DJEFEO CHECK: M. BERGMAN	<p><i>MOTION SENSORS, INC.</i> <i>ELIZABETH CITY, NC 27909</i></p> <p>DUAL WINDING VR SENSOR OUTLINE/SPECIFICATION MODEL PC41-17E</p>
FINISH	ISSUED: DJEFEO	
		DATE: 01/03/12
		SCALE: C
		SIZE: 0Y2U4
		DWG NO: PC41-17E
		SHEET

CONFIDENTIAL PROPERTY OF MOTION SENSORS, INC. (MSI) NOT TO BE DISCLOSED TO OTHERS, REPRODUCED, OR COPIED IN ANY MANNER EXCEPT AS AUTHORIZED IN WRITING BY MSI. MUST BE RETURNED ON DEMAND.

UNLESS OTHERWISE SPECIFIED DIMENSIONS ARE THE SIZE OF RAW MATERIAL SHALL BE HELD AS FOLLOWS:
2 PLACE DECIMAL ± 0.125
3 PLACE DECIMAL ± 0.062
4 PLACE DECIMAL ± 0.031
TOLERANCES SHALL BE HELD AS FOLLOWS:
± 1/2°

APPLICATION

USED ON

NEXT ASSY

4

3

2

1