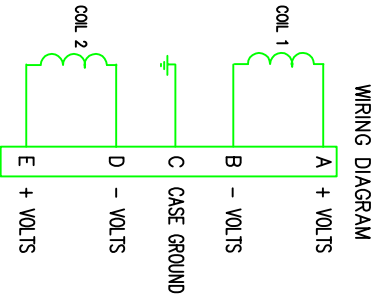
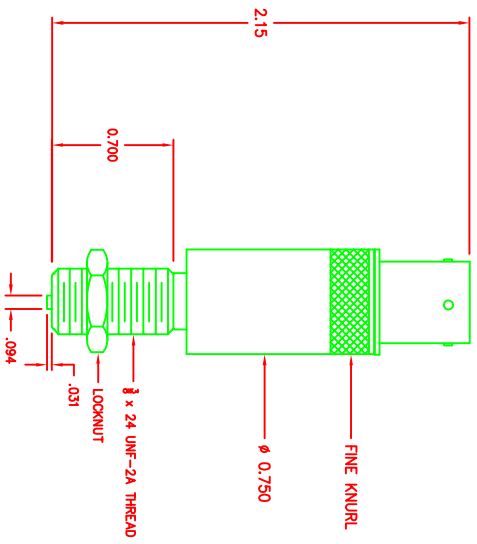
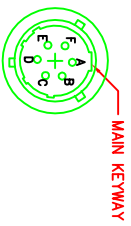


- NOTES**
- COIL RESISTANCE: COIL 1: 210 OHMS ± 25%
 - COIL INDUCTANCE: COIL 2: 215 OHMS ± 25%
 - OUTPUT SIGNAL: COIL 1: 28mV TYP.
COIL 2: 18mV TYP.
 - TEST CONDITIONS: COIL 1: 1.5VP-P
COIL 2: 1.5VP-P
 - TEST GEAR: 12 PITCH
 - AIR GAP: 0.030"
 - LOAD: 100KQ
 - SPEED: 1000 I.P.S.
 - INSULATION RESISTANCE (IR) WINDING TO CASE: > 100 MEGOHM @ 100 VOLTS.
 - OPERATING TEMPERATURE: -270C TO 239C



MATERIAL	300 SERIES STAINLESS STEEL	FINISH	
APPROVALS	DRAWN: JDEFTO CHECK: M. BERGMAN ISSUED: JDEFTO	DATE: 01/03/12	
CONFIDENTIAL, PROPERTY OF NOTION SENSORS, INC. (ANS) NOT TO BE DISCLOSED TO OTHERS, REPRODUCED, EXCEPT AS AUTHORIZED IN WRITING BY MSI. MUST BE RETURNED ON DEMAND.		UNLESS OTHERWISE SPECIFIED DIMENSIONS ARE THE SIZE OF RAW MATERIAL SHALL BE 2 PLACE REMAIN. 3 PLACE REMAIN TYPICAL	TITLE: DUAL WINDING VR SENSOR OUTLINE/SPECIFICATION MODEL PC41-15G
APPLICATION	NEXT ASSY	USED ON	
CAGE CODE	PC41-15G	DATE	
REV			

PC41-15G
 REVISIONS
 SH 1 REV -
 DATE APP

NOTION SENSORS, INC.
 ELIZABETH CITY, NC 27909

DUAL WINDING VR SENSOR
 OUTLINE/SPECIFICATION
 MODEL PC41-15G

SIZE	CAGE CODE	DWG NO	
C	0Y2U4	PC41-15G	
SCALE			SHEET